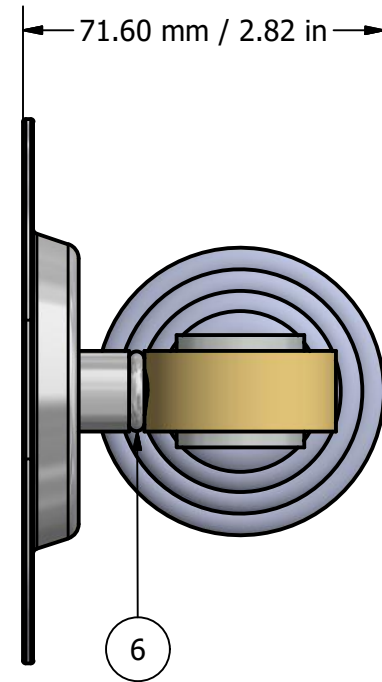
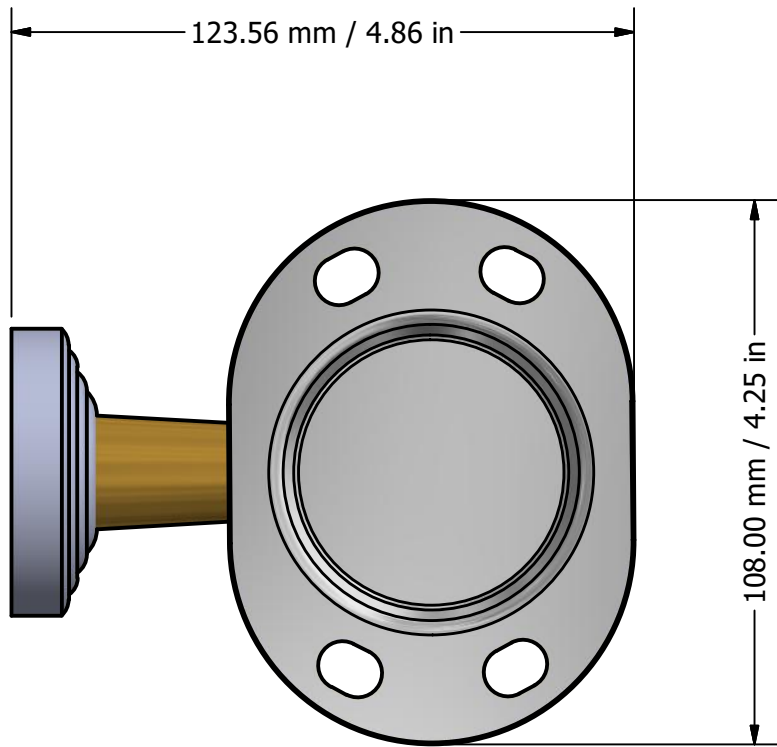
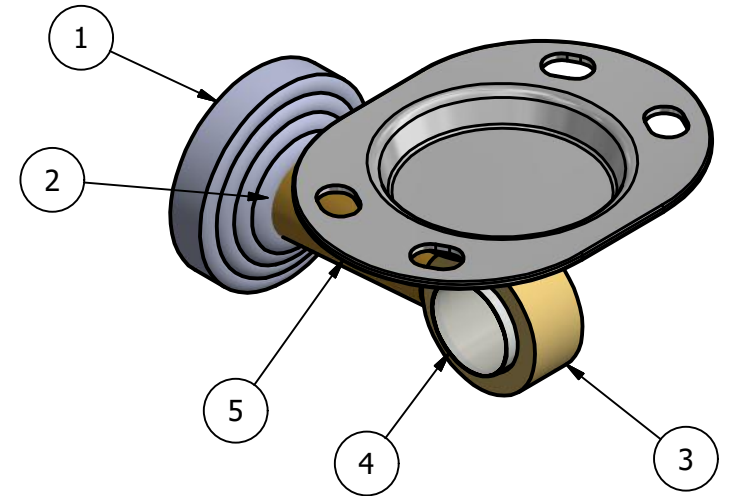


PARTS LIST			
ITEM	QTY	PART NUMBER	DESCRIPTION
1	1	BPWV	BACKPLATE
2	1	CL-TB	POST
3	1	RGSM-D-1	RING WITH NEW SIZE
4	1	AC-HHUB	ACRYLIC POST
5	1	HROVT	HOLDER
6	1	CRRD-12	CHECK RING



UNLESS OTHERWISE SPECIFIED	
.X	± .3mm
.XX	± .15mm
.XXX	± .008mm

UNIT IS IN MM.



DRAWN	10-15-18	IM	MATERIAL:	BRASS	FINISH	TBD	
CHECKED	10-15-18	P.D.	DESCRIPTION:		QTY	TBD	
APPROVED	10-15-18	R.A.	Pacific Beach Collection Tumbler and Toothbrush Holder		DRAWING NO.		
					PB-26		REV
				SCALE	1.5:1	SHEET: 1 OF 1	A4

APPROVED FOR PRODUCTION
 By: RICHARD PAUL
 Date: 10-15-18